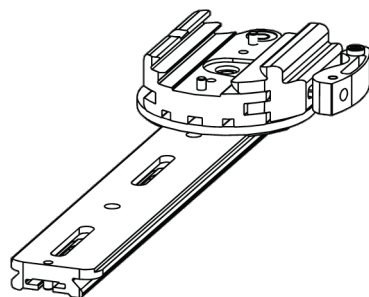
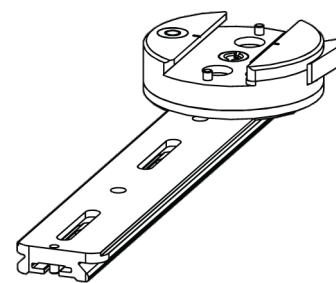


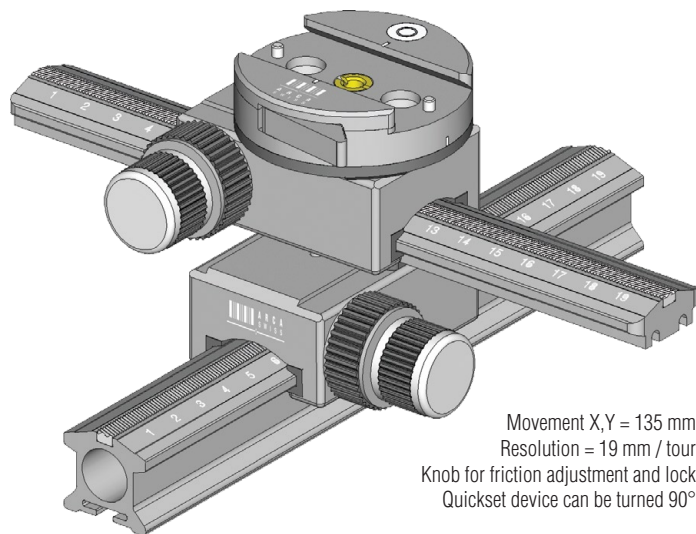
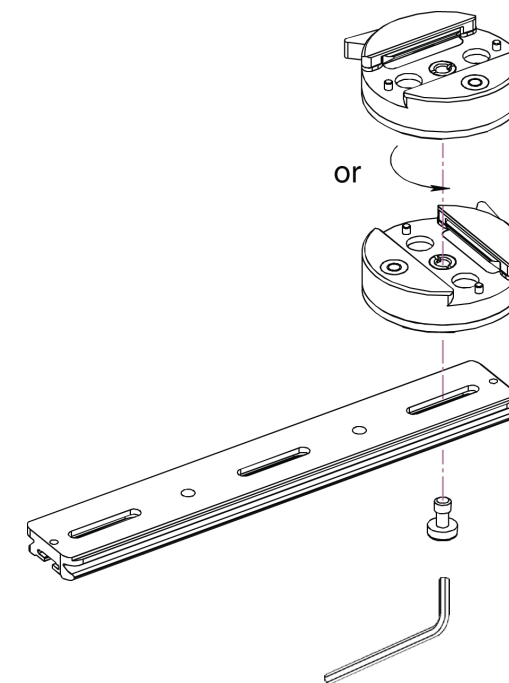
**802316**  
nodalSet monoball@Classic  
L 200



**802317**  
nodalSet monoball@Fliplock  
L 200



**802318**  
nodalSet monoball@Fix  
L 200

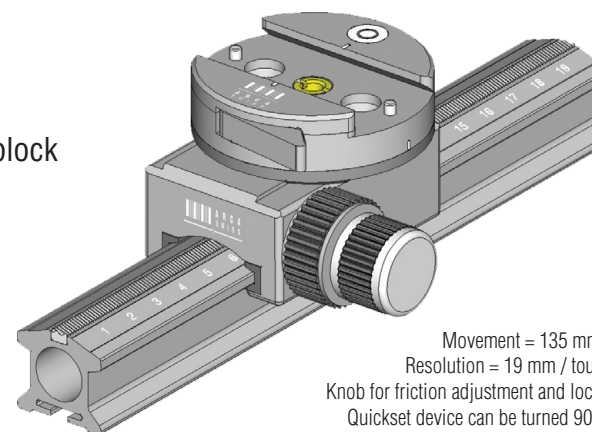


Movement X,Y = 135 mm  
Resolution = 19 mm / tour  
Knob for friction adjustment and lock  
Quickset device can be turned 90°

**802330**  
X-table monoball@Fix  
for macro-photographie

**802331**  
X-table monoball@Classic  
for macro-photographie

**802332**  
X-table monoball@Fliplock  
for macro-photographie



Movement = 135 mm  
Resolution = 19 mm / tour  
Knob for friction adjustment and lock  
Quickset device can be turned 90°

**802335**  
macro-table monoball@Fix  
for macro-photographie

**802336**  
macro-table monoball@Classic  
for macro-photographie

**802337**  
macro-table monoball@Fliplock  
for macro-photographie